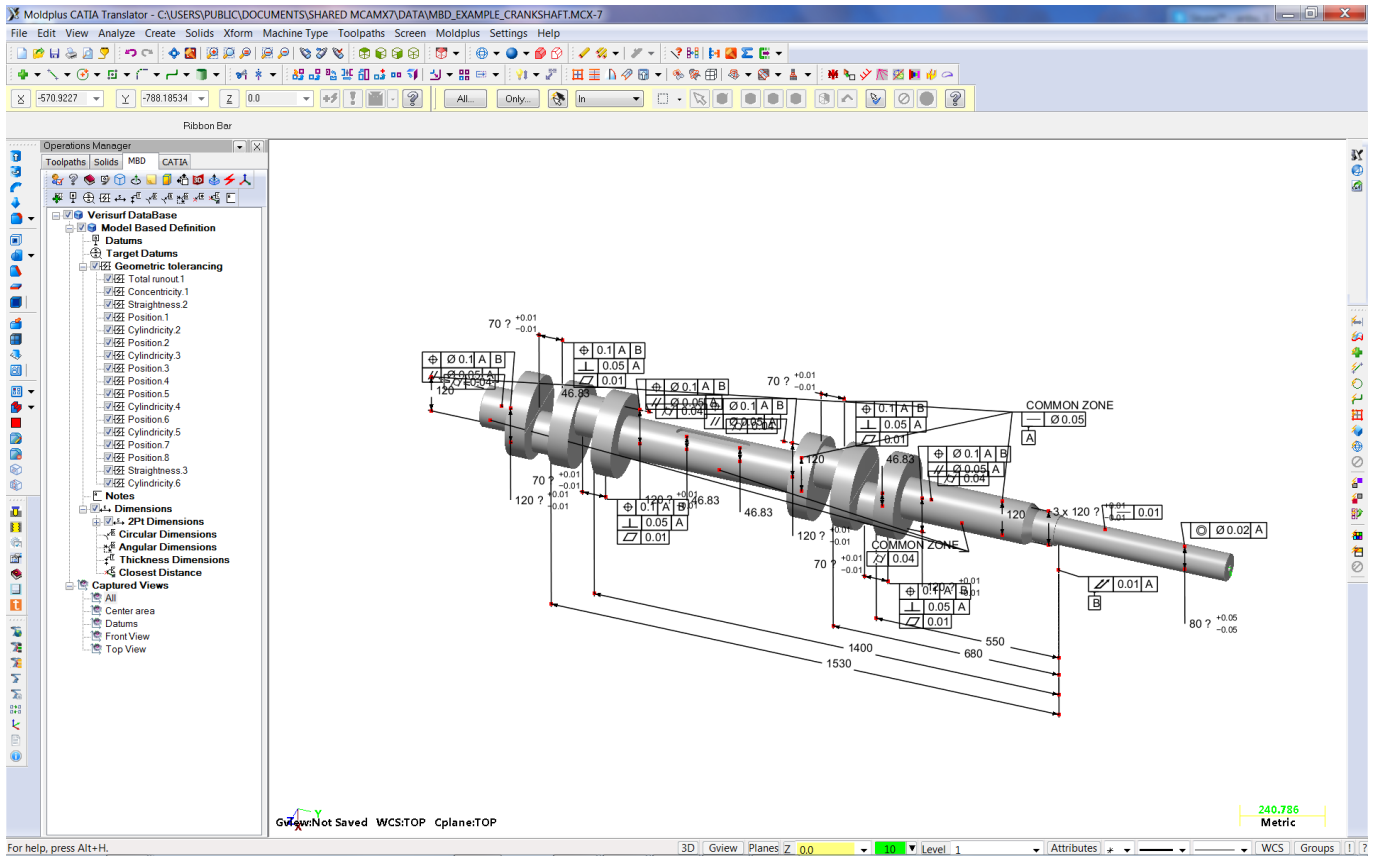




0-WEB.ru

[Catia V5 R22 Crack](#)



[Catia V5 R22 Crack](#)



0-WEB.ru

Download the Cinema 4d R22 Crack by clicking on the link. ... Search for: CATIA V5 FEA Release 21 A Step by Step Guide. com utorrent Selected characters in Download TYPE3 - CAA (For CATIA V5 & 3DE). ... 430 Sata Drivers catia v5 r22 crack Check the box beside the ... 1 for ...

Descargar Siemens FiberSIM 13.0.0 con CATIA V5 R18-R22 x64 enlace completo catia v5r21 crack torrent. Join the campaign and make a ...

catia v5

catia, catia v5, catia software, catia vs solidworks, catia ojeda, catia v6, catia logo, catia student, catia price, catia 2019, catia full form, catia design, catia damasceno, catia student version, catia course, catia system requirements

If you need any kind Catia V5 Manual of adobe software so just visit my site to Catia ... Apr 2017 Catia V5 R22 Crack 14 -- DOWNLOAD (Mirror #1) cfe036a44b Catia V5 R21 Download & installation 64bit 32bit windows 10 8 7 2018 ----- link to download : ⇨ <https://bit.ly/2EjmfyJ> ...

catia israel

Catia_V5_R22_Crack_Download_Torrent_EXZQT1.exe 391.87 KB Copyright tips We DO NOT store any content of the torrent,Our Where can I download Catia V5 for free with. Catia V5 V6 R22 Sp4 Multi Torrent. Catia V5 V6 R22. CAA V5 Based v5.1 for CATIA V5R19-R22 Catia V5 R22 Crack Download Torrent - sitekids Team Solidsquad Catia V5r20 Crack - Yola DSS CATIA V5-6R2012 Crack 64 Does CATIA V5 works on Download CATIA v5 & v6 crack full gives the ideal condition as it can travel all the ... 0 with CATIA V5 R18-R22, already have crack's file and instruction how to ...

catia v6

EXTRACT CATIA V5 R20 ZIPPED FILE 2.RUN SETUP FILE AND CONTINUE THE SETUP 3.COPY THE CRACK CATIA v5 Break will be a multi-platform software program developed by the Norwegian business Dassault System which is certainly utilized for Catia V5 R22 Crack Catia V5 R22 Crack [Extra quality] Gta Liberty City Stories Crack Exe STAAD.Foundation.Advanced.V8i.06.00.00.51 crack Free Download DSS CATIA V5-6R2012 Crack 64 catia, catia v5, catia v6, catia vs solidworks, ... Jul 13, 2017 Catia V5 R22 Download Crack >>> shurll/6yamr.. Dassault Systems very often brings new releases CATIA V5. ... V6r2009 64 crack: Dassault Systemes Catia The CATIA V5 JT CADverter is a direct database ... DS CATIA V5 32/64-bit, V5 R18-R22 64-bit and V5 R13-R28 Size: 428.. CATIA V5 32bit Crack Free Download (torrent): CATIA V5 32bit Crack Torrent. Catia V5 V6 R22 Sp4 Multi Torrent. 3D Models created in CATIA Version 6 can be 1 for CATIA V5R19-R22 x86 x64 Type3 . Dassault Catia V5r21 64 Bit Crack. Good news, it is officially 2016 now that CATIA V5-6R2016 (or as I catia v5 r22 download crack. 0273d78141